
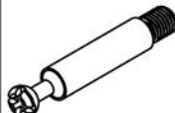





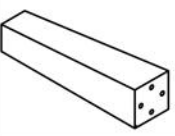

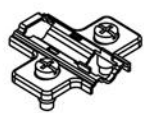

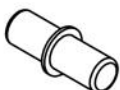







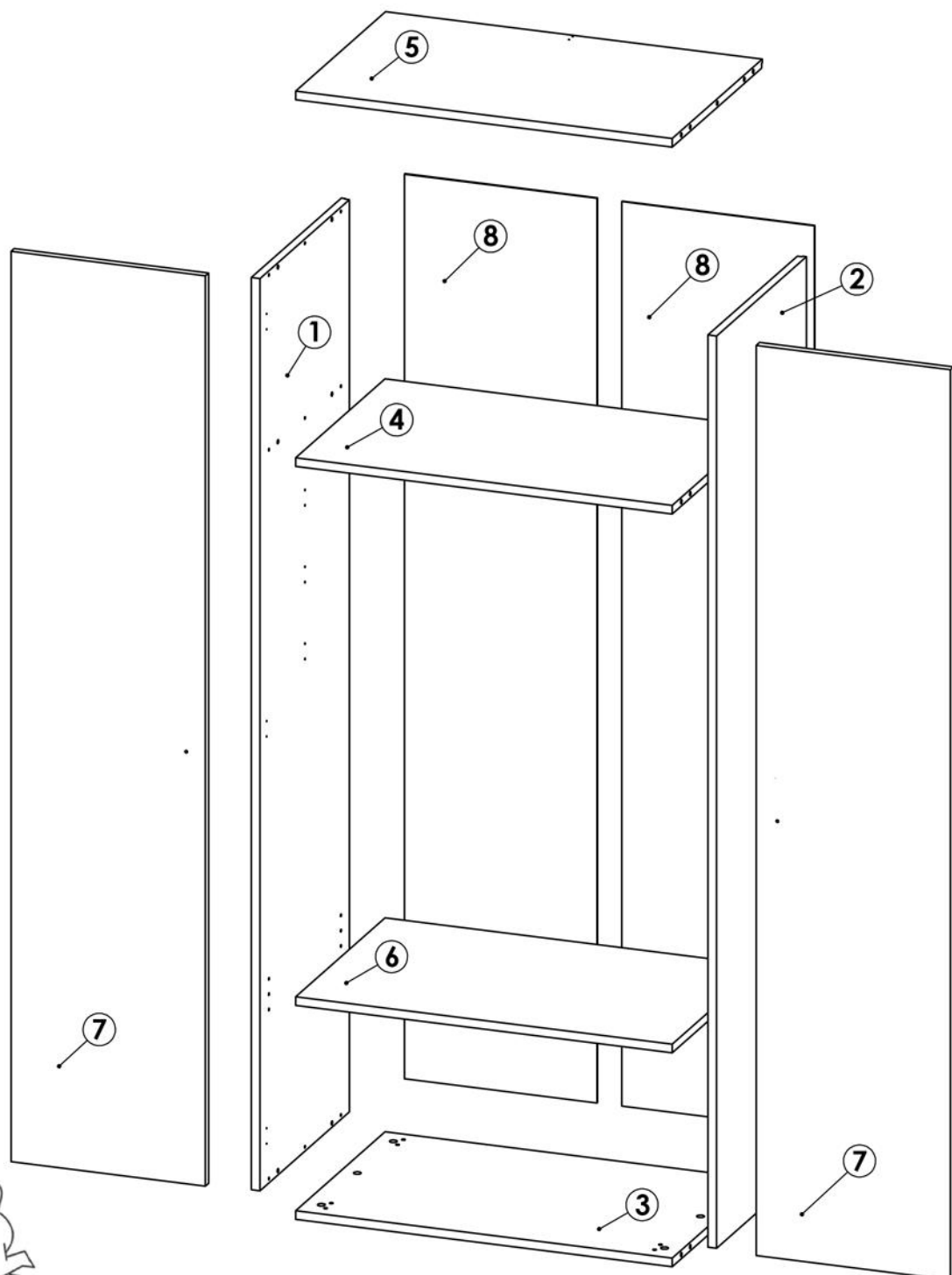
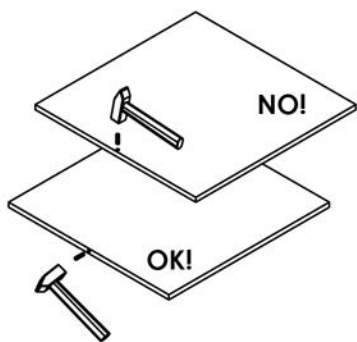
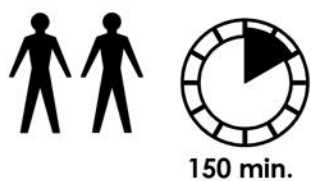
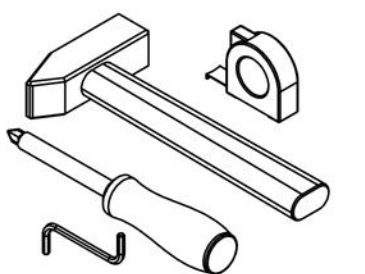


# WARDROBE2D INDY

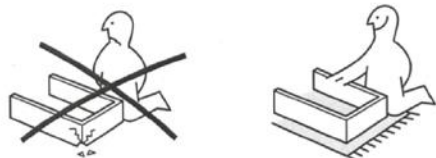
Art code: 116 19 503

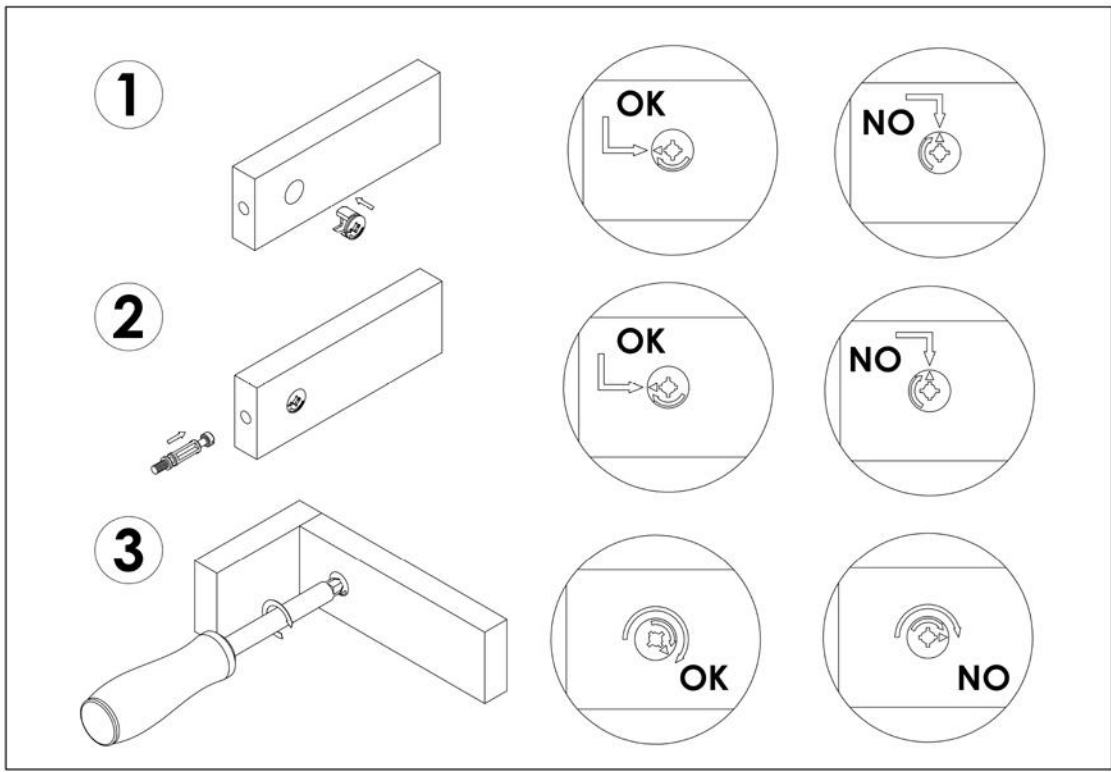
09/08/2021

		 8x30	 4x12	 3,5x13	 F-26	 7x50	 H-4
A - 18	B - 18	C - 12	D-2	E-18	F-26	G-8	H-4
				 M-1		 N-1	
I-2	J-6	K-6	L-4	M-1		N-1	
				 S-6			
O - 2	P - 1	Q - 1	R - 1	S-6			



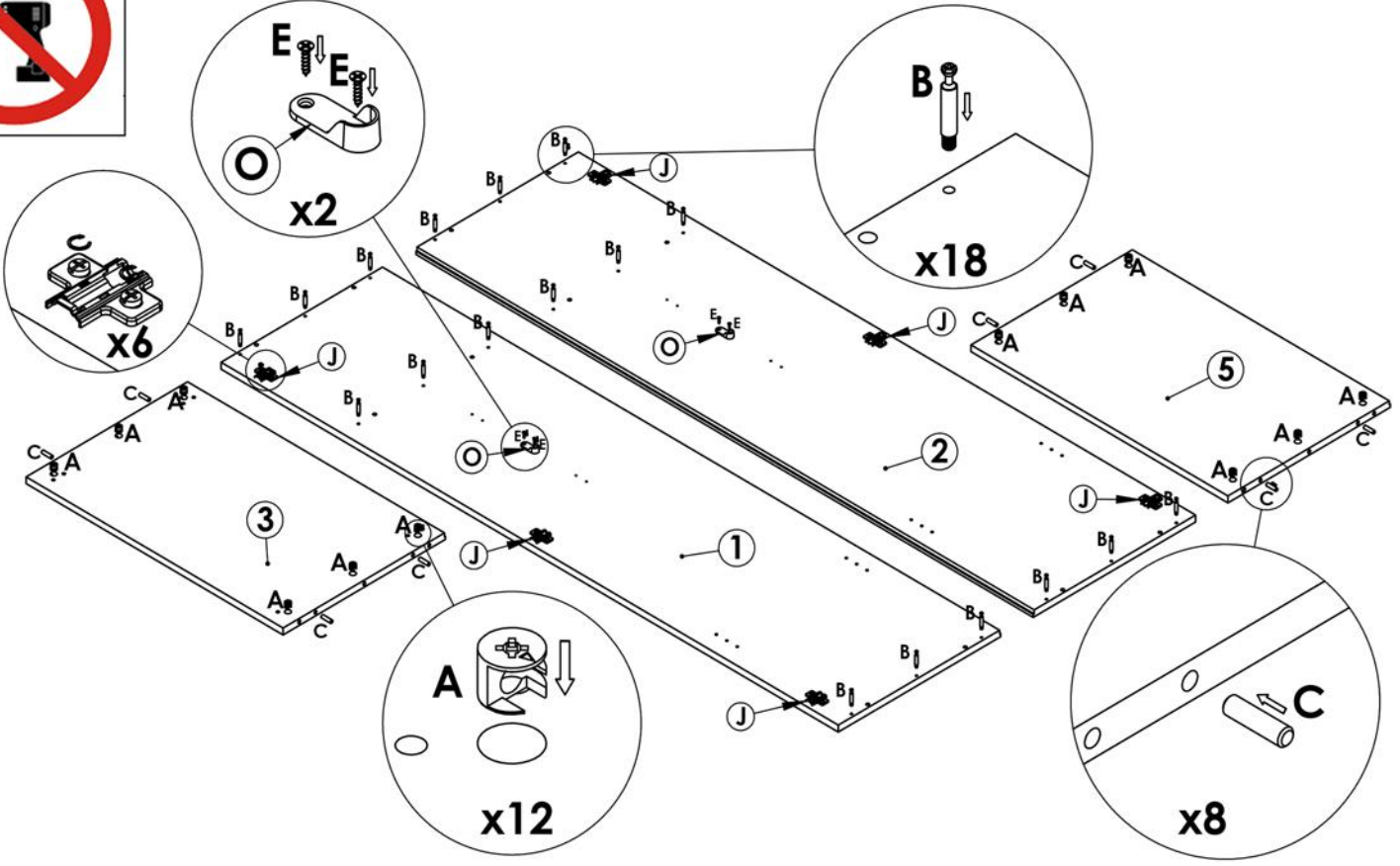
"BOPITA"  
LION INTERNATIONAL B.V.  
ENERGIEWEG 1  
6662 NS ELST GLD  
NEDERLAND  
[www.bopita.com](http://www.bopita.com)





**STEP-1**

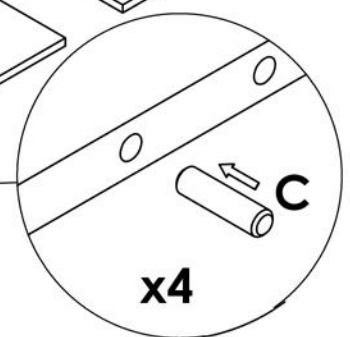
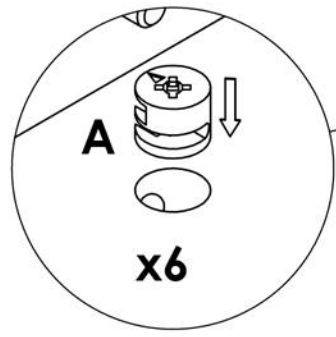
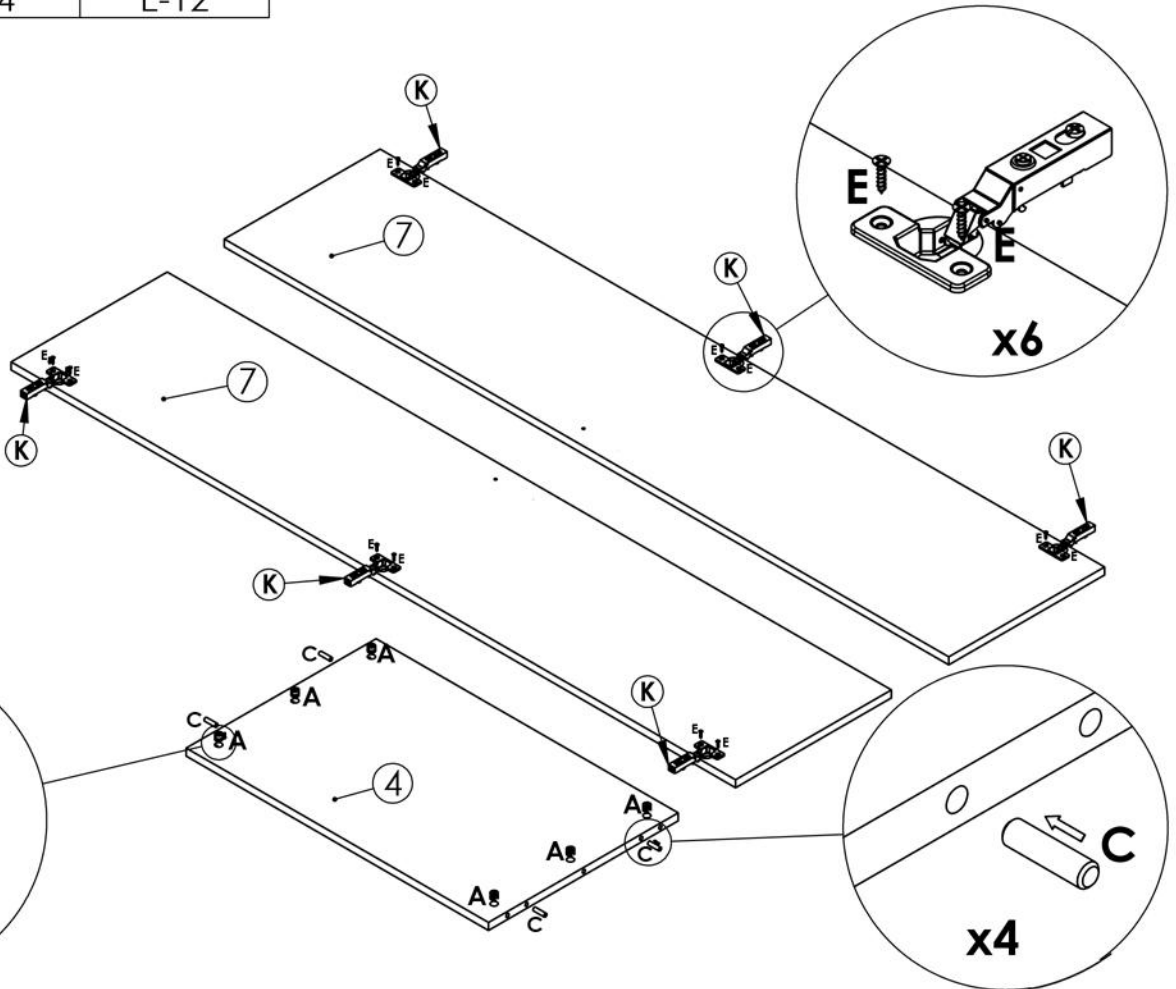
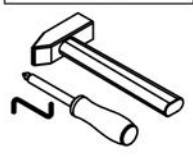
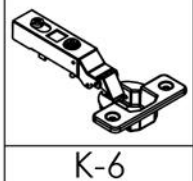
A-12	B-18	C-8	E-4	J-6	O-2	Z



**STEP-2**

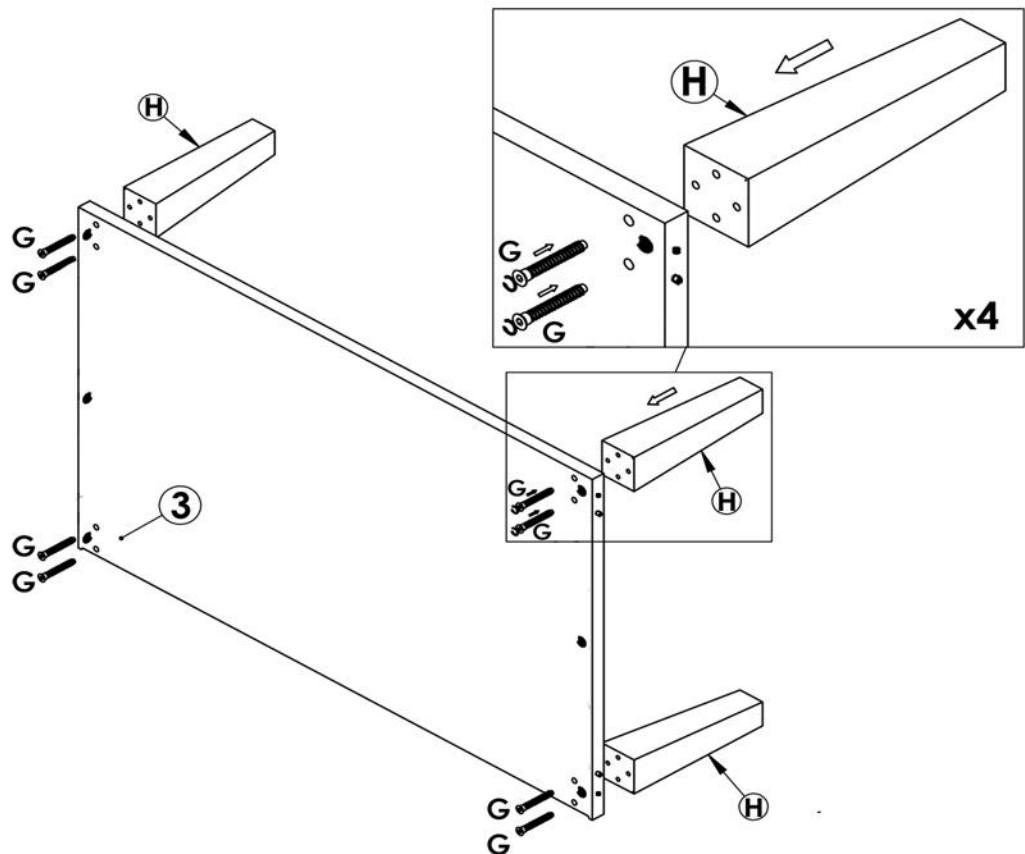


A-6	8x30 C-4	3,5x13 E-12

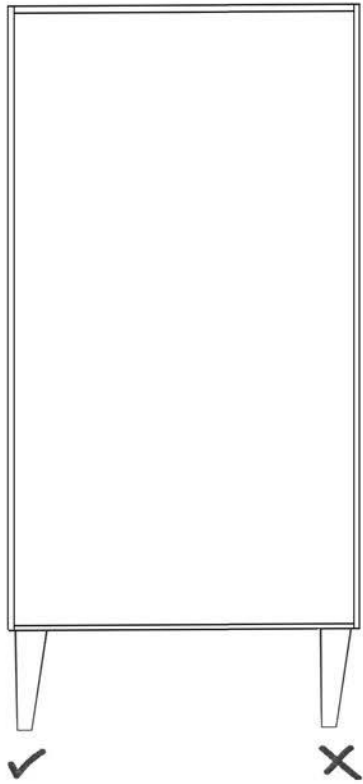


**STEP-3**

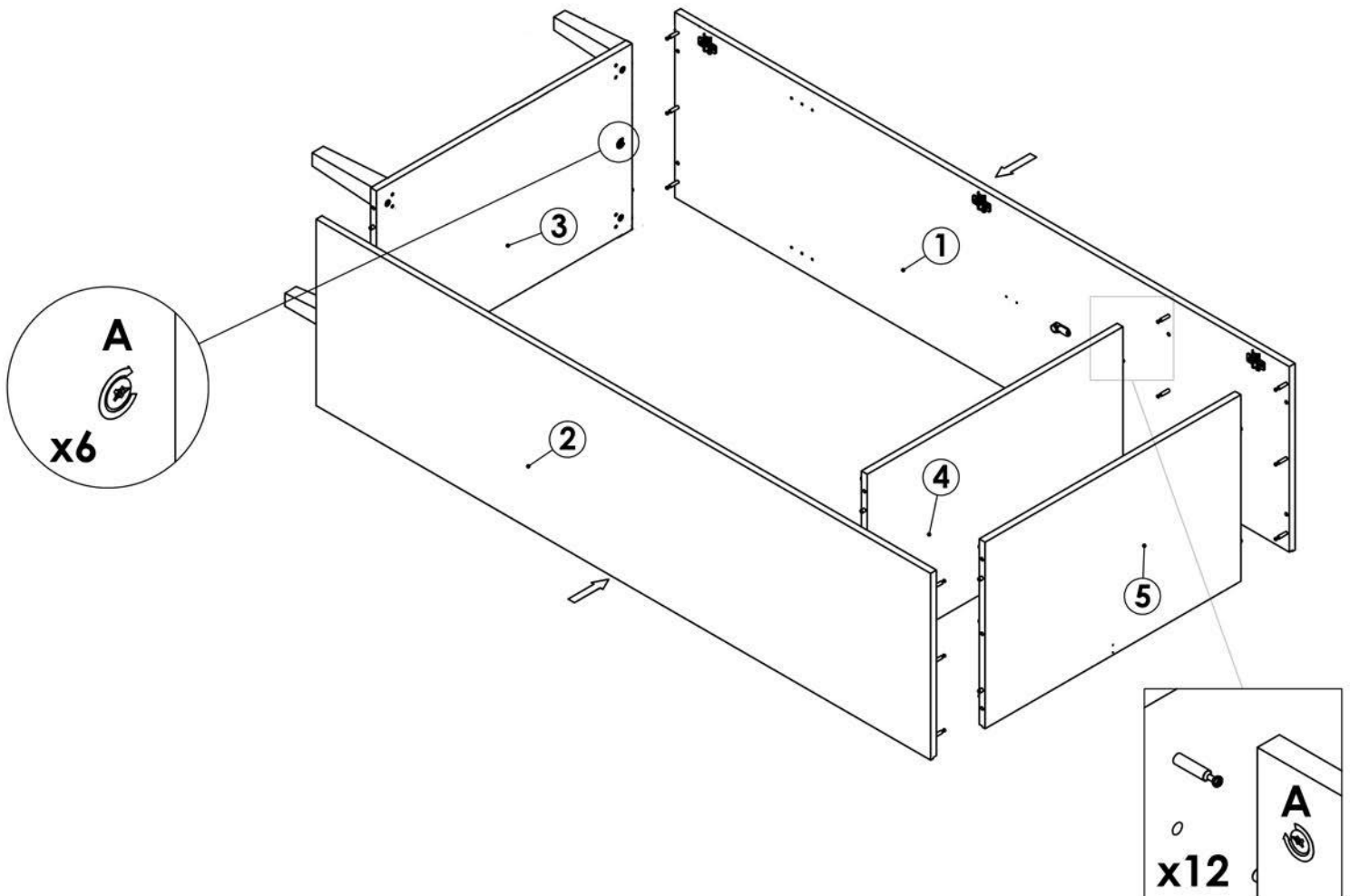
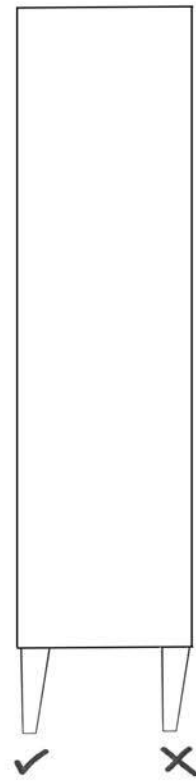
7x50 G-8	H-4



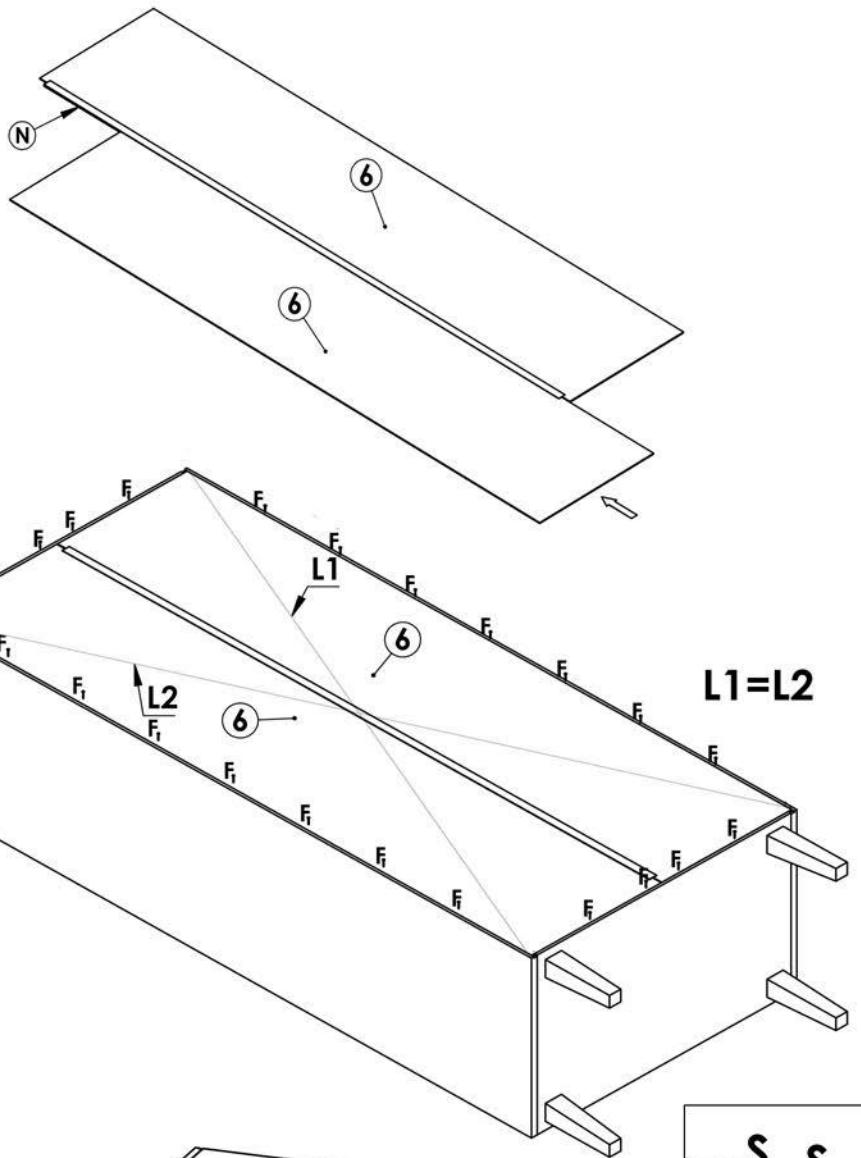
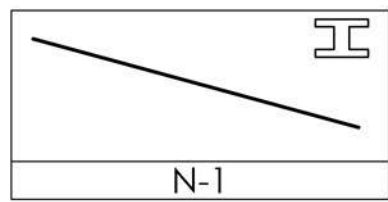
FRONT VIEW



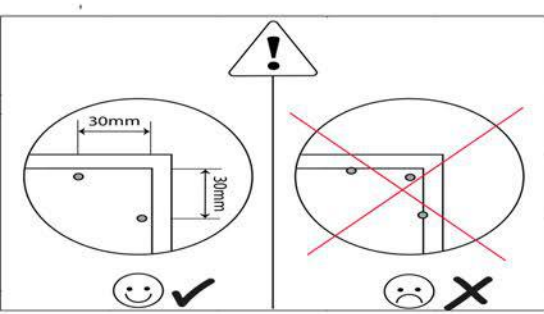
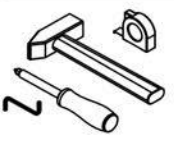
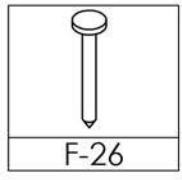
SIDE VIEW



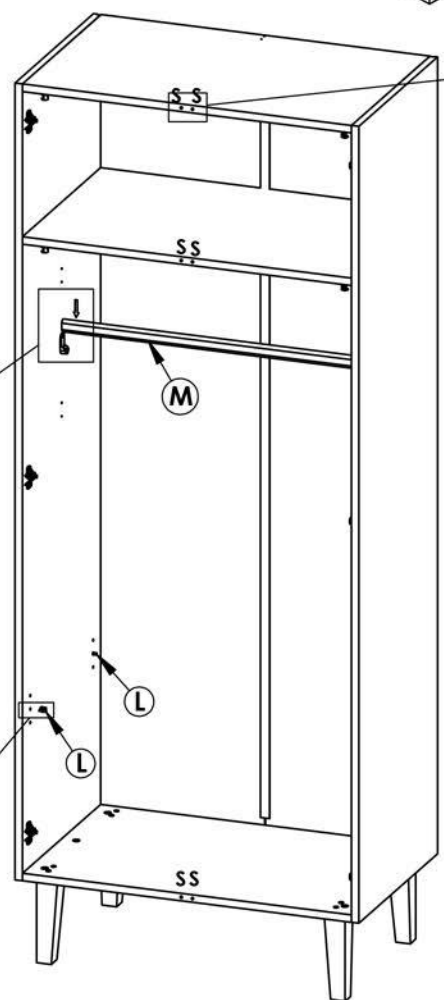
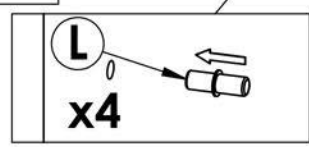
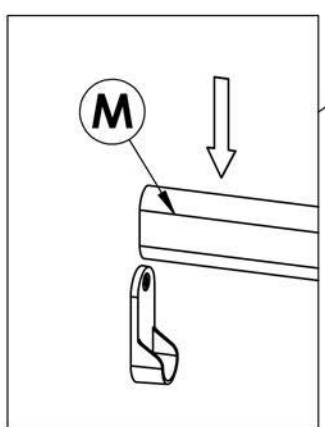
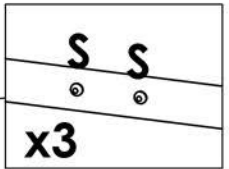
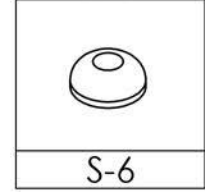
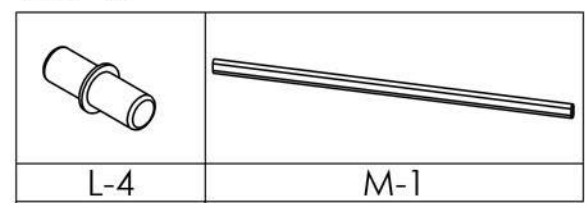
### STEP - 4



### STEP-5



### STEP-6





**STEP-7**

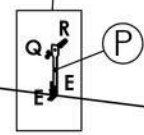
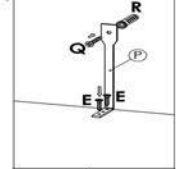
I-2	4x12 D-2	3,5x13 E-2	P-1

Q-1	R-1

**x2**

**x6**

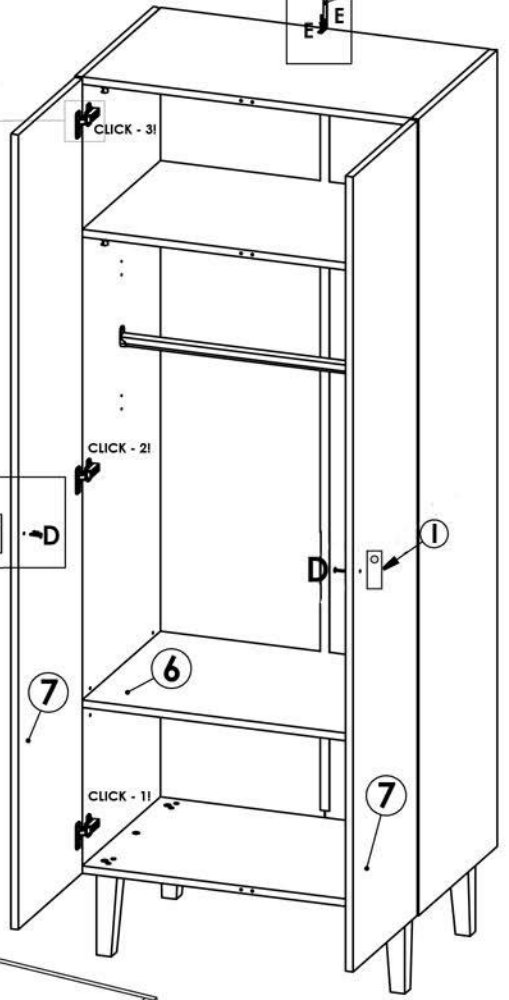
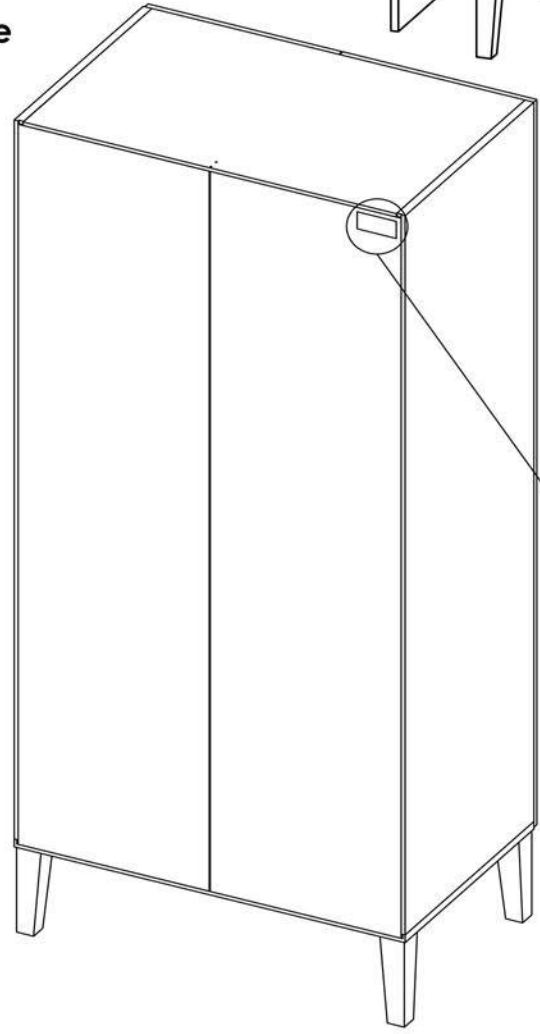


**"A"**

**"B"**

**QC-CODE**

- (UK) for service requests
- (NL) voor service vragen
- (FR) pour les demandes de service
- (DE) für Service Anfragen
- (ES) para consultas de servicio
- (IT) per richieste di assistenza



**QC-CODE**